

Miniature Rocker

Specifications

Electrical Ratings	5A @ 120VAC, 28VDC 2A @ 250VAC See Contact Options	Dielectric Strength	1500Vrms min
Electrical Life	50,000 cycles typical	Insulation Resistance	>100MΩ min
Contact Resistance	<20mΩ initial @ 2-4VDC, 100mA	Operating Temperature	-40°C to 85°C
		Storage Temperature	-40°C to 85°C

Materials

Actuator	ABS
Housing	Diallyl Phthalate (DAP)
Frame	6/6 Nylon
Bushing	Brass or Zinc, Nickel Plated
Contacts	Copper Alloy, Silver Plated
Terminals	Brass, Silver Plated

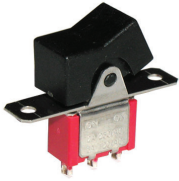
Features

- Wide variety of applications from consumer electronics to commercial
- Standard epoxy sealed terminations
- Gold contacts available for low power applications
- Available support brackets for greater stability
- Up to four poles with five functions available
- Many rocker and paddle styles to choose from
- Wide variety of terminal options

Ordering Information

1. Series	ANR	1	1	R11	2			B	Q	E
ANR										
2. Number of Poles										
1 = SPDT 2 = DPDT 3 = 3PDT 4 = 4PDT										
3. Switch Function										
1 = ON-NONE-ON 2 = ON-NONE-(ON) 3 = ON-OFF-ON 4 = (ON)-OFF-(ON) 5 = ON-OFF-(ON) 6 = ON-ON-ON **See 3-way wiring section for details										
4. Actuator										
R11P / R11 = Rocker, PC mount / Panel mount R15P / R15 = Rocker, PC mount / Panel mount R19P / R19 = Rocker, PC mount / Panel mount R21P / R21 = Rocker, PC mount / Panel mount P13P / P13 = Paddle, PC mount / Panel mount P23P / P23 = Paddle, PC mount / Panel mount P43P / P43 = Paddle, PC mount / Panel mount P47P / P47 = Paddle, PC mount / Panel mount P48P / P48 = Paddle, PC mount / Panel mount R12 / R22 = Rocker, snap-in panel mount w/frame / snap-in panel mount w/o frame P14 / P24 = Paddle, snap-in panel mount w/frame / snap-in panel mount w/o frame P17 / P27 = Paddle, snap-in panel mount w/frame / snap-in panel mount w/o frame P18 / P28 = Paddle, snap-in panel mount w/frame / snap-in panel mount w/o frame R51R = Rocker, snap-in panel mount w/frame and LED (Red LED standard) R53R = Rocker, snap-in panel mount w/frame and LED (Red LED standard)										
5. Actuator Color										
1 = White 4 = Yellow 7 = Blue 2 = Black 5 = Green 8 = Brown 3 = Red 6 = Orange 9 = Gray										
6. Frame Color										
1 = White 4 = Yellow 7 = Blue Blank = No Frame 2 = Black 5 = Green 8 = Brown 3 = Red 6 = Orange 9 = Gray										
7. Actuator Marking Style										
Blank = No marking A, B, C, D, E, F, G										
8. Actuator Marking Color										
Blank = No marking W = White, standard B = Black										
9. Terminals										
B = Solder lug C = PC pin D = Quick Connect H = Horizontal mount, right angle PC Pin; HS = Snap-in V = Vertical mount, right angle PC pin S20 / S25 = PC pin with support bracket; V20 / V25 = Snap-in support bracket S35 / S40 = PC pin with support bracket										
10. Contacts										
Q = Silver plated R = Gold plated G = Gold over Silver plated										
11. Epoxy Seal										
E = Epoxy Seal										

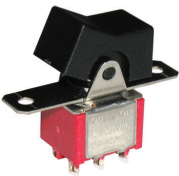
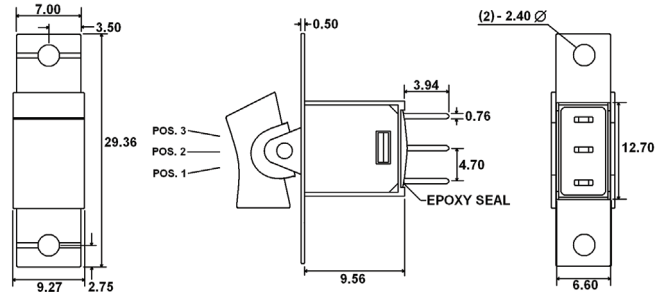
Switch Function



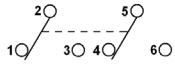
SPDT



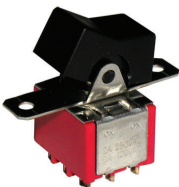
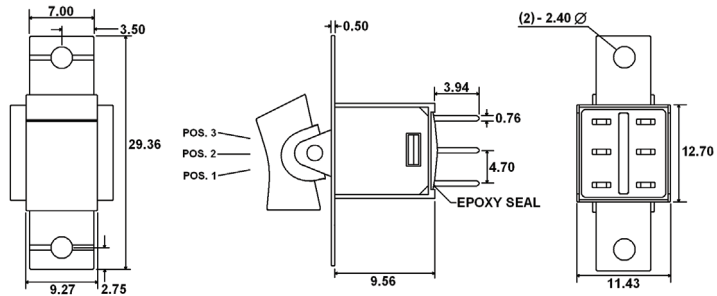
Function	Rocker Position		
1	ON	NONE	ON
2	ON	NONE	(ON)
3	ON	OFF	ON
4	(ON)	OFF	(ON)
5	ON	OFF	(ON)
Terminals	2-3	-	2-1



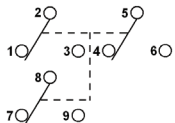
DPDT



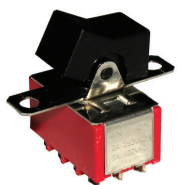
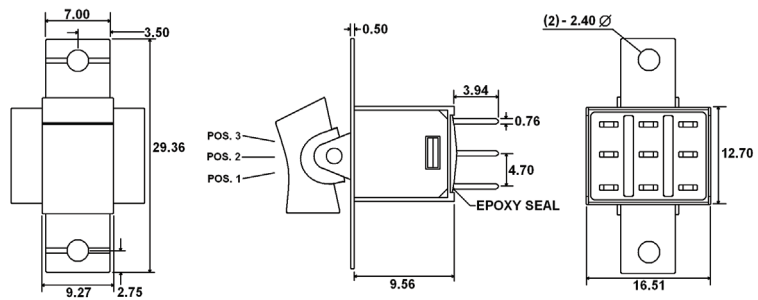
Function	Rocker Position		
1	ON	NONE	ON
2	ON	NONE	(ON)
3	ON	OFF	ON
4	(ON)	OFF	(ON)
5	ON	OFF	(ON)
Terminals	2-3 5-6	-	2-1 5-4
6	ON	ON	ON
Terminals	2-3 5-6	2-3 5-4	2-1 5-4



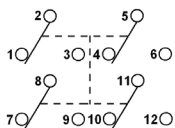
3PDT



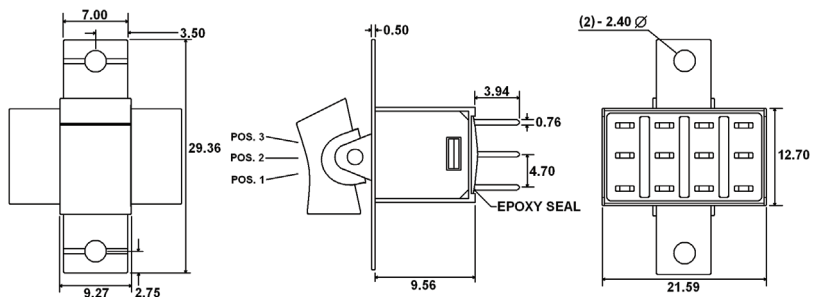
Function	Rocker Position		
1	ON	NONE	ON
2	ON	NONE	(ON)
3	ON	OFF	ON
4	(ON)	OFF	(ON)
5	ON	OFF	(ON)
Terminals	2-3 5-6 8-9	-	2-1 5-4 8-7



4PDT

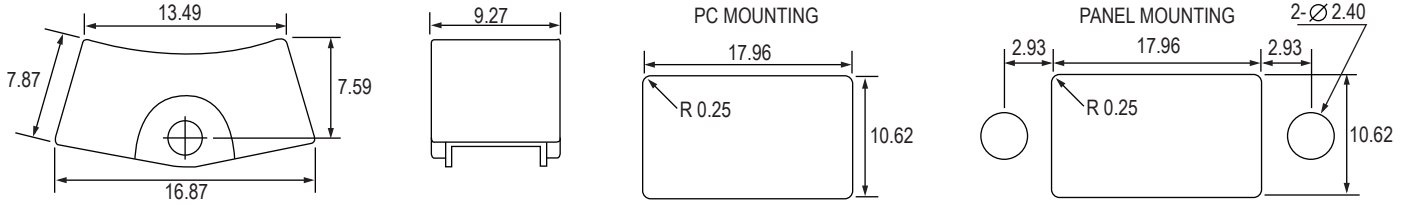


Function	Rocker Position		
1	ON	NONE	ON
2	ON	NONE	(ON)
3	ON	OFF	ON
4	(ON)	OFF	(ON)
5	ON	OFF	(ON)
Terminals	2-3 5-6 8-9 11-12	-	2-1 5-4 8-7 11-10
6	ON	ON	ON
Terminals	2-3 5-6 8-9 11-12	2-3 5-4 8-9 11-10	2-1 5-4 8-7 11-10

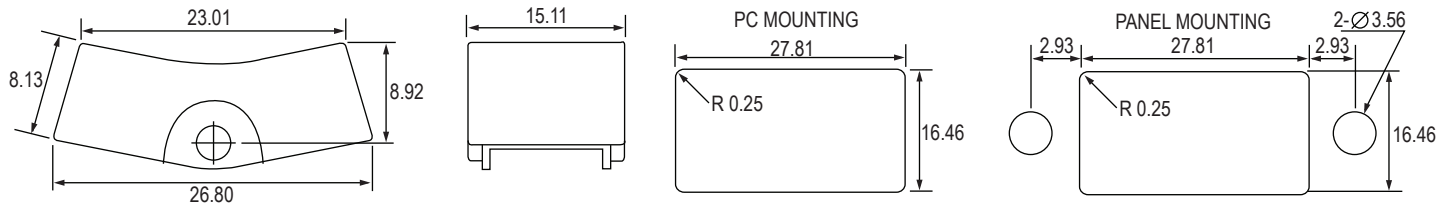


Actuator Options - PC mount & Panel mount

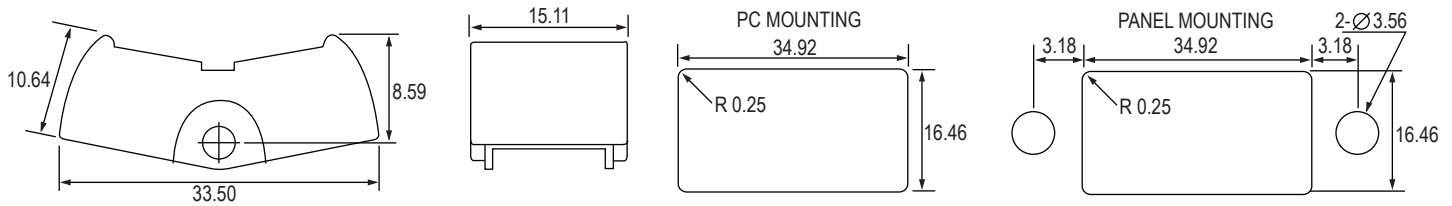
R11P / R11



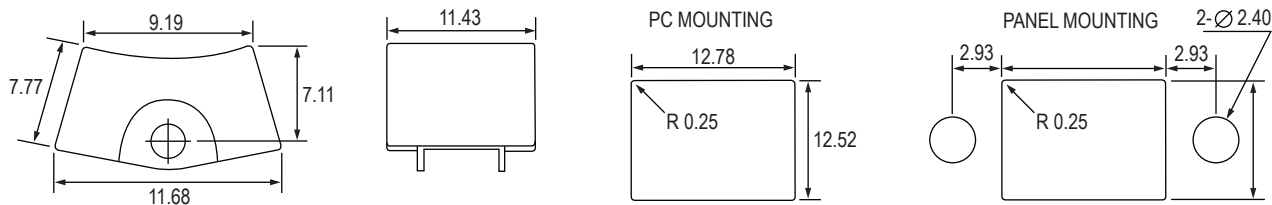
R15P / R15



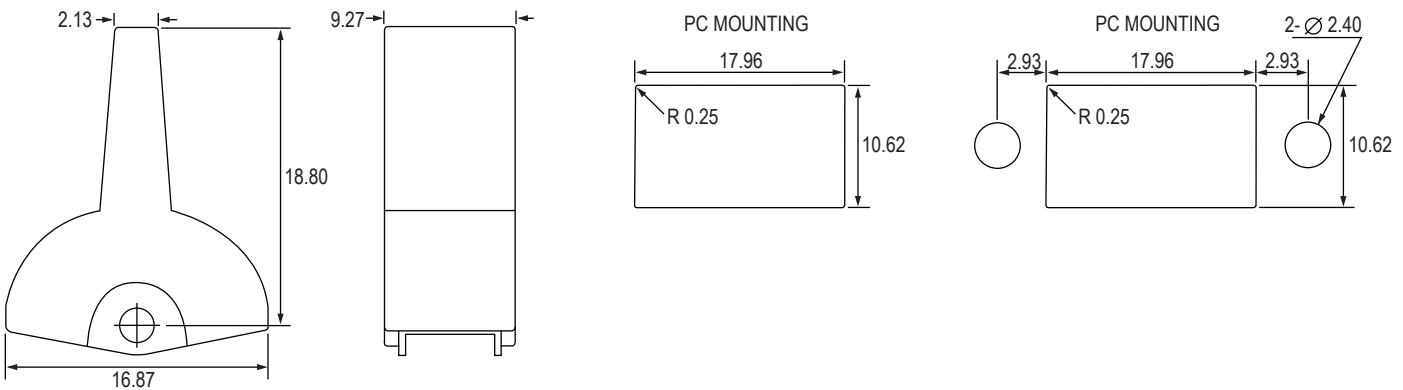
R19P / R19



R21P / R21

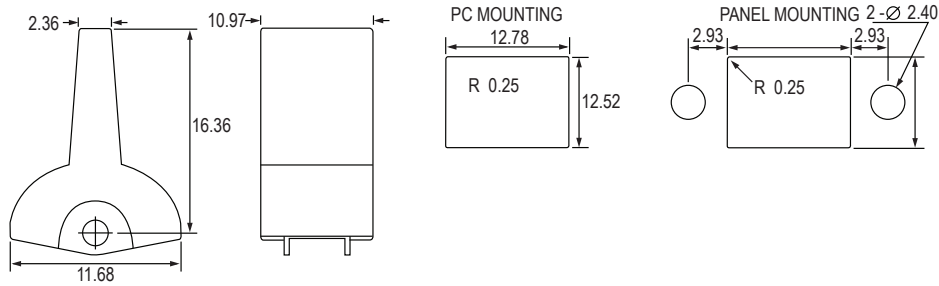


P13P / P13

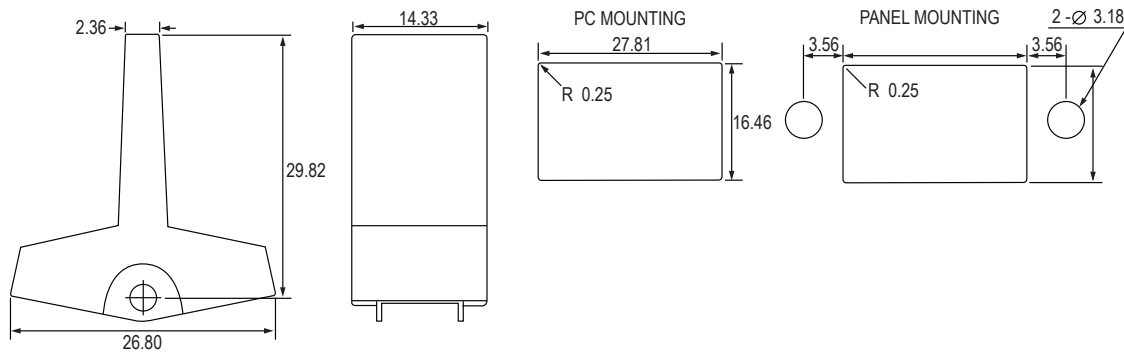


Actuator Options - PC mount & Panel mount

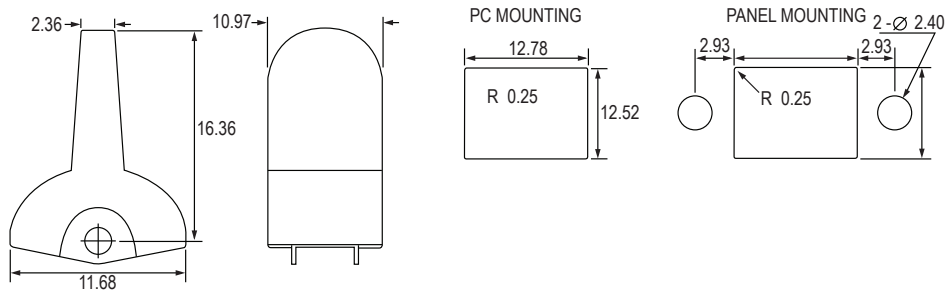
P23P / P23



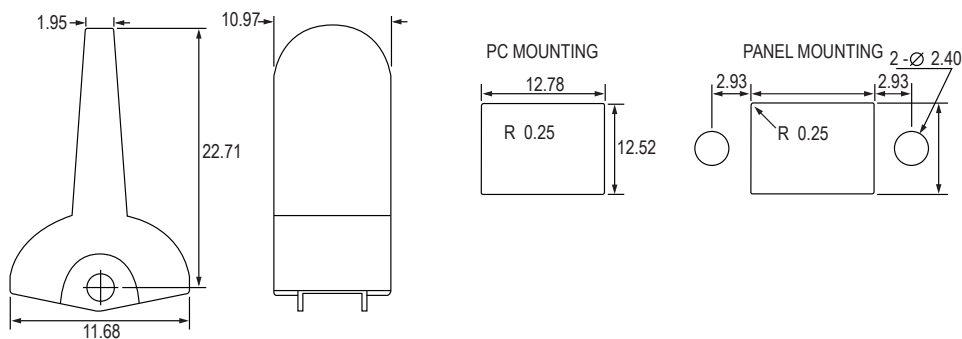
P43P / P43



P47P / P47

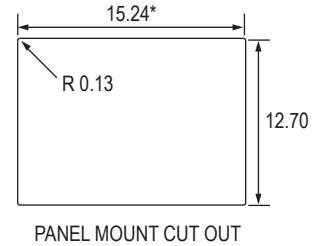
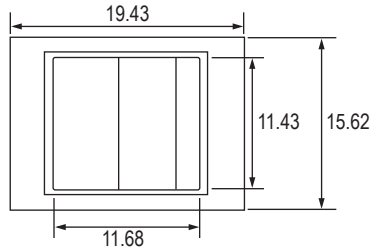
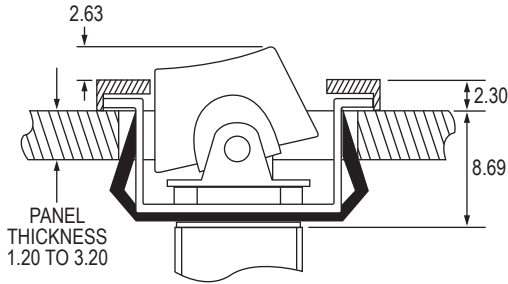


P48P / P48

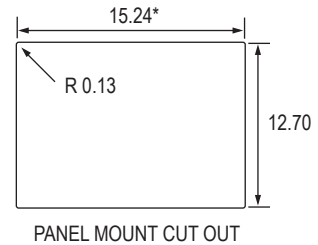
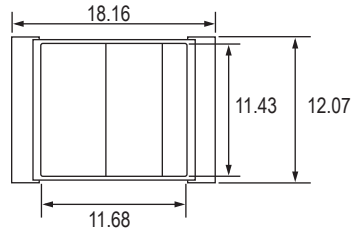
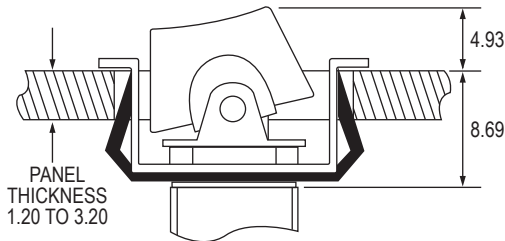


Actuator Options - Snap-In Panel mount

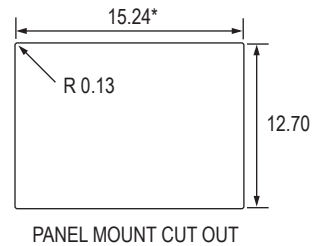
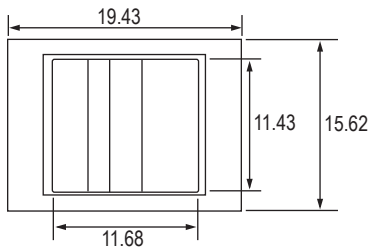
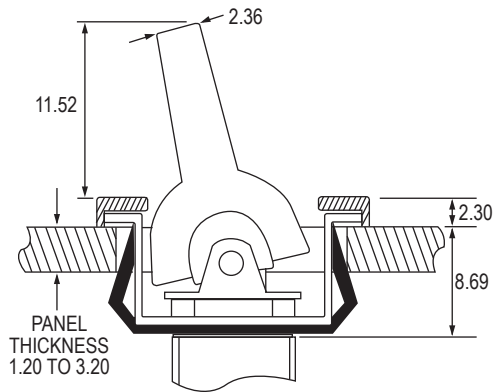
R12 — Increase the length dimension to 15.75 / 15.88 for 1.5 / 3.2 thick panels



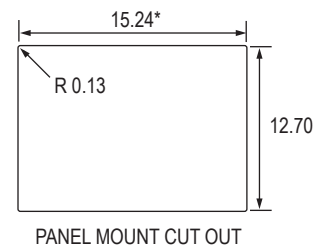
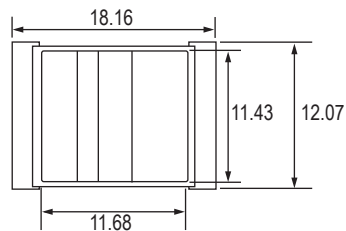
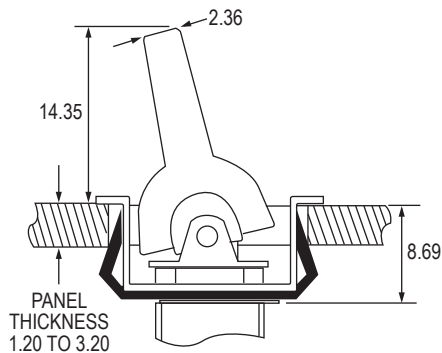
R22 — Increase the length dimension to 15.75 / 15.88 for 1.5 / 3.2 thick panels



P14 — Increase the length dimension to 15.75 / 15.88 for 1.5 / 3.2 thick panels

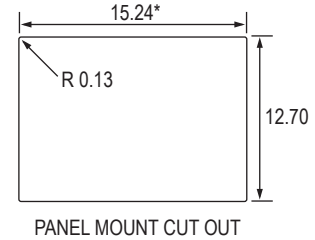
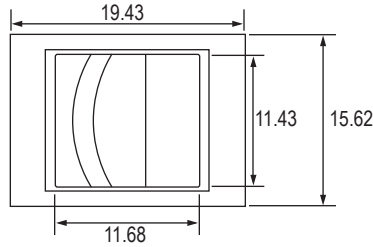
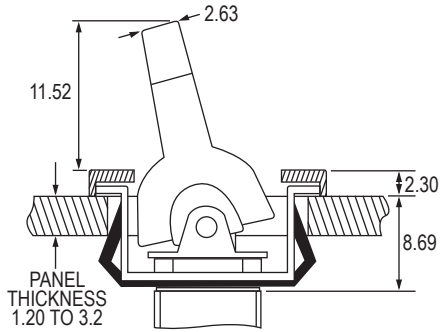


P24 — Increase the length dimension to 15.75 / 15.88 for 1.5 / 3.2 thick panels

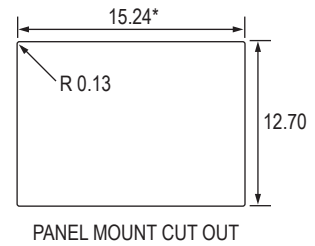
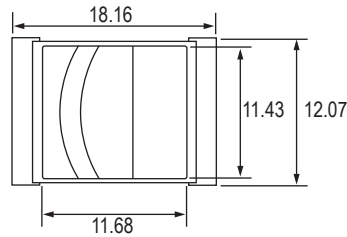
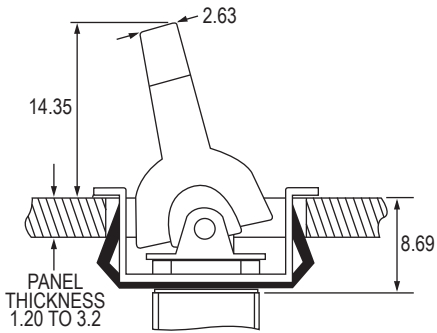


Actuator Options - Snap-In Panel mount

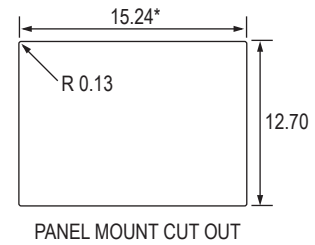
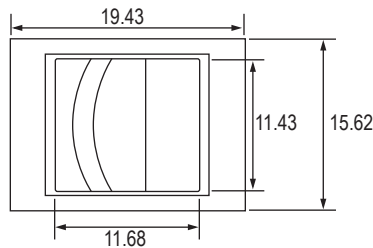
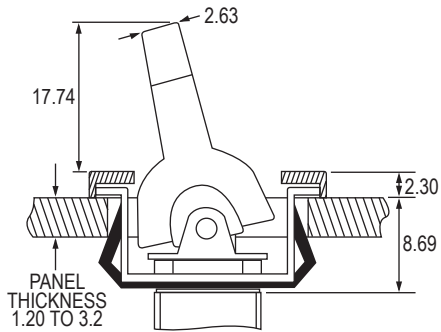
P17 — Increase the length dimension to 15.75 / 15.88 for 1.5 / 3.2 thick panels



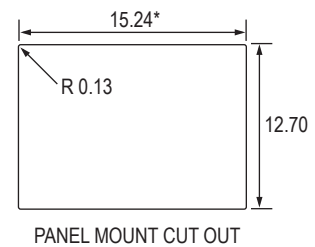
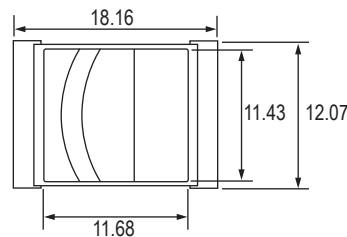
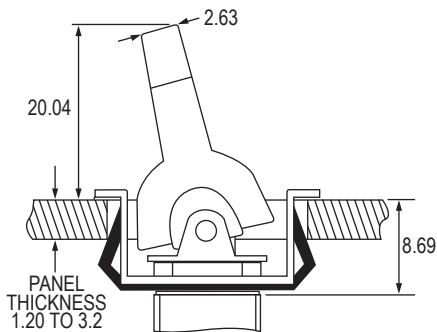
P27 — Increase the length dimension to 15.75 / 15.88 for 1.5 / 3.2 thick panels



P18 — Increase the length dimension to 15.75 / 15.88 for 1.5 / 3.2 thick panels

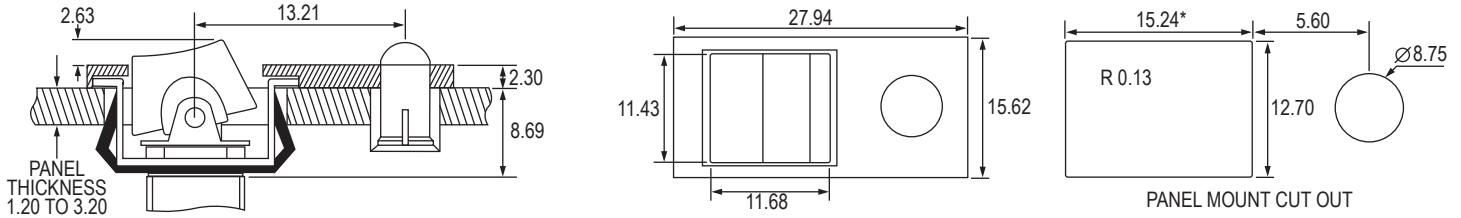


P28 — Increase the length dimension to 15.75 / 15.88 for 1.5 / 3.2 thick panels

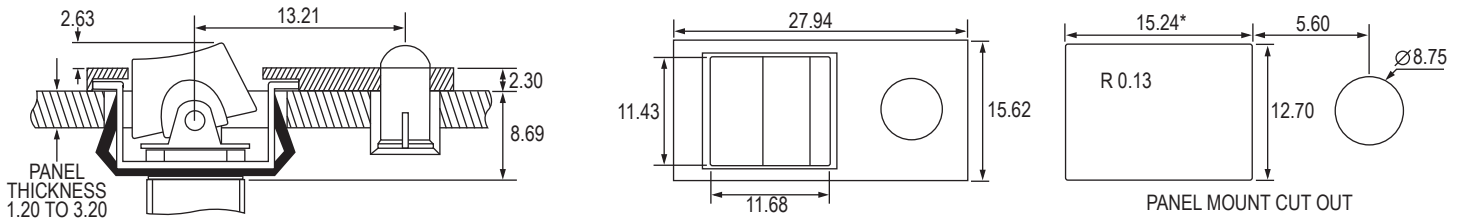


Actuator Options - Snap-In Panel mount

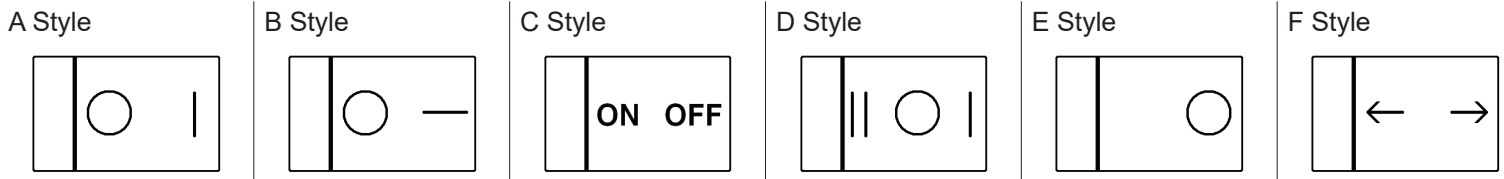
R15R — Increase the length dimension to 15.75 / 15.88 for 1.5 / 3.2 thick panels



P53R — Increase the length dimension to 15.75 / 15.88 for 1.5 / 3.2 thick panels

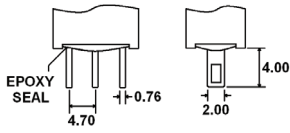


Actuator Markings

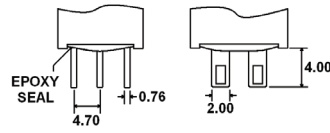


Terminal Options

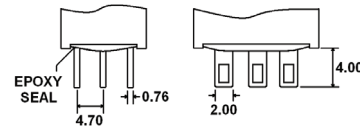
B, single pole



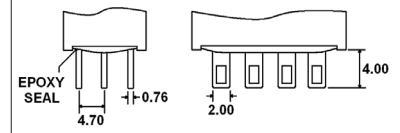
B, double pole



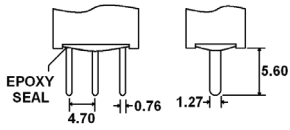
B, 3 pole



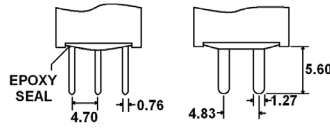
B, 4 pole



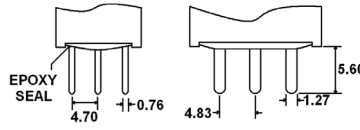
C, single pole



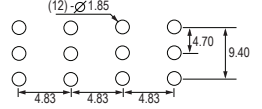
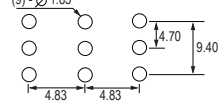
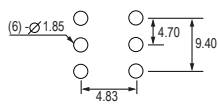
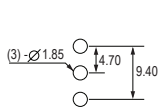
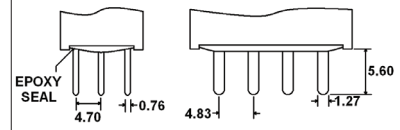
C, double pole



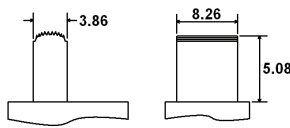
C, 3 pole



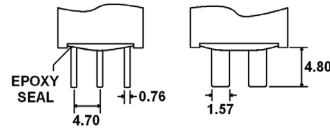
C, 4 pole



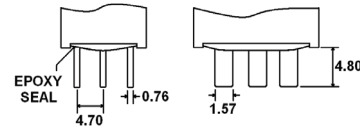
D, single pole



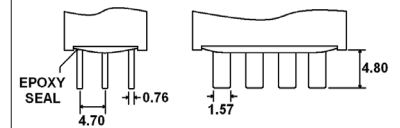
D, double pole



D, 3 pole

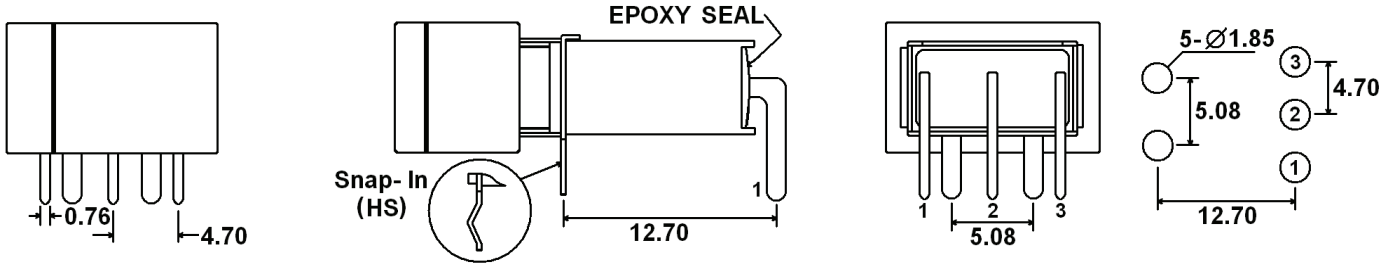


D, 4 pole

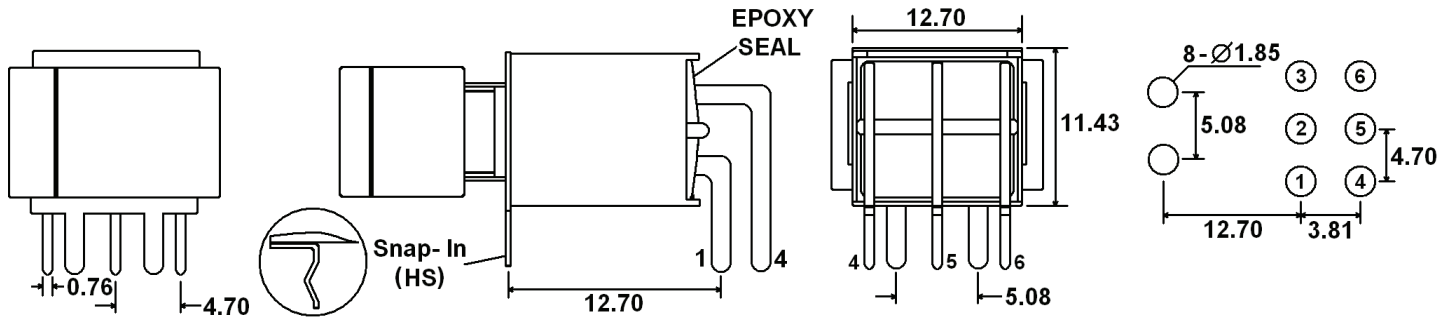


Terminal Options

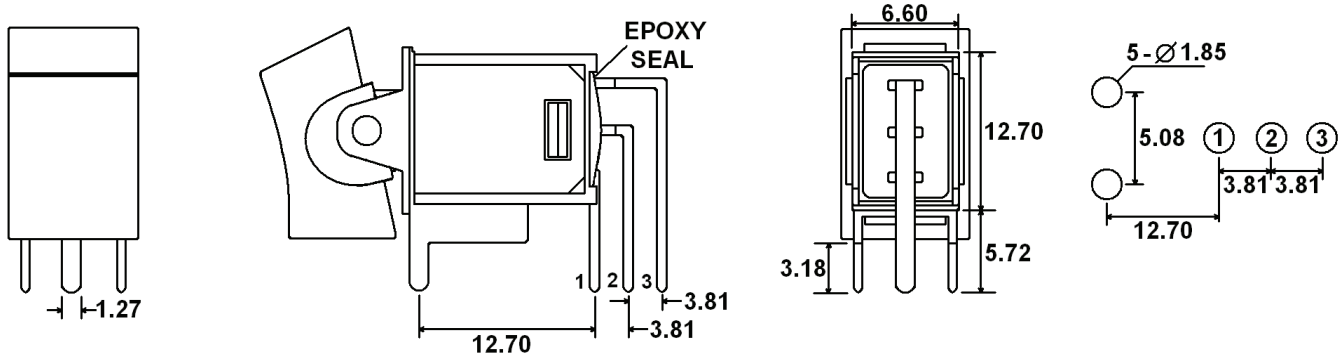
H, (HS, snap-in bracket), horizontal mount, right angle PC pins, single pole



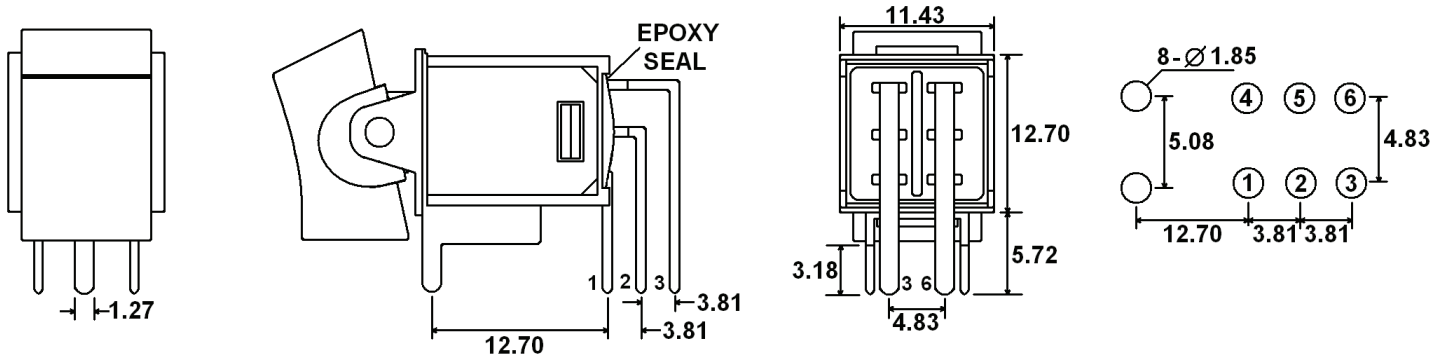
H, (HS, snap-in bracket), horizontal mount, right angle PC pins, double pole



V, vertical mount, right angle PC pins, single pole

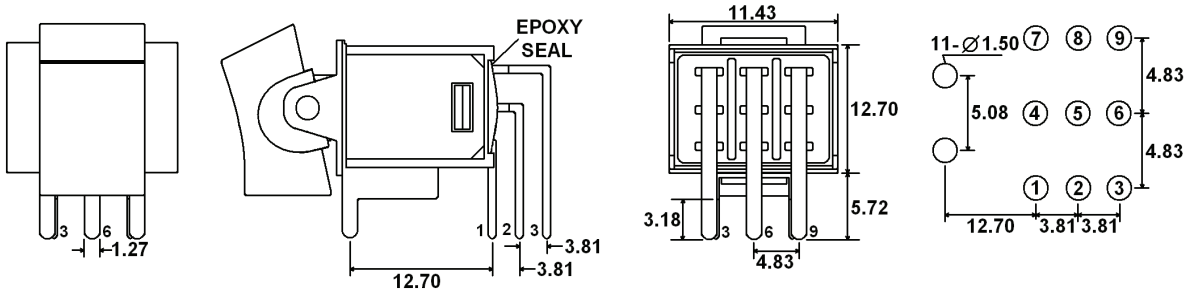


V, vertical mount, right angle PC pins, double pole

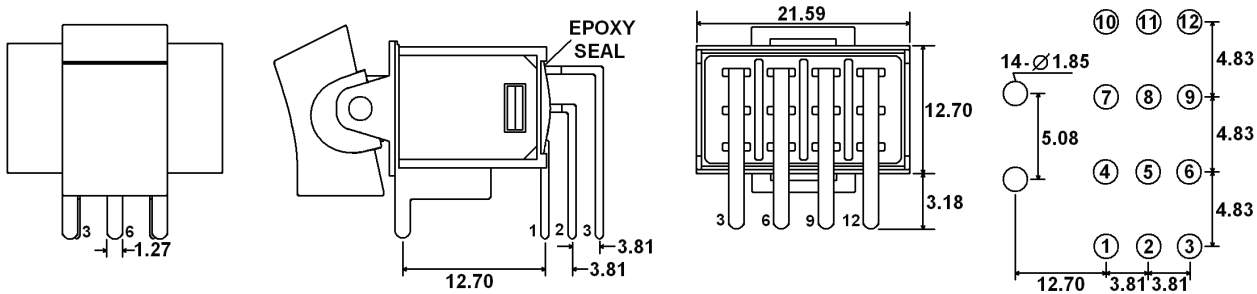


Terminal Options

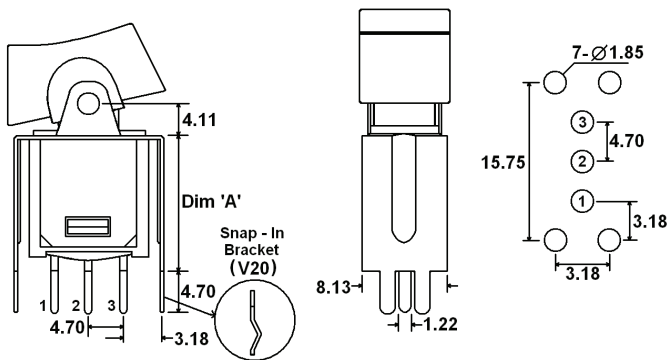
V, vertical mount, right angle PC pins, three pole



V, vertical mount, right angle PC pins, four pole

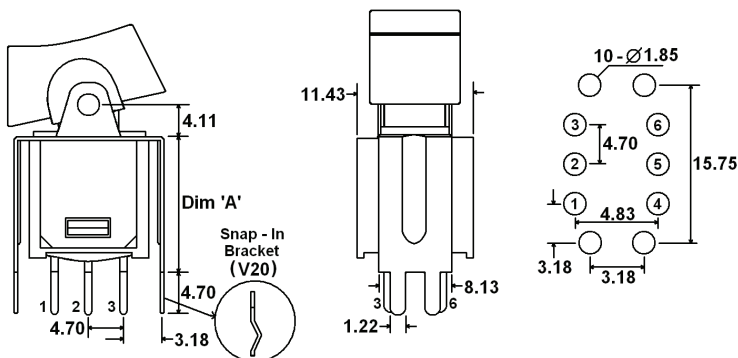


S20/S25, (V20/V25, snap-in bracket), PC pins with support bracket, single pole



Terminal Option	"A" Dimension
S20 / V20	11.68
S25 / V25	16.00

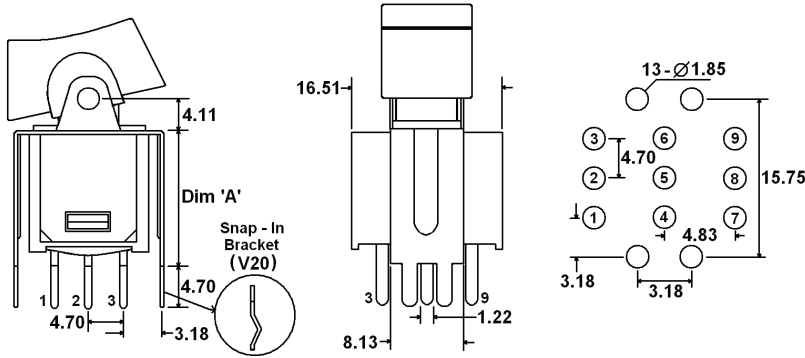
S20/S25, (V20/V25, snap-in bracket), PC pins with support bracket, double pole



Terminal Option	"A" Dimension
S20 / V20	11.68
S25 / V25	16.00

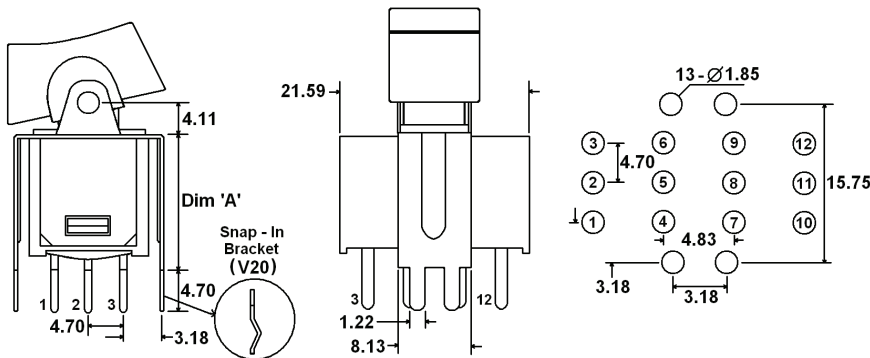
Terminal Options

S20/S25, (V20/V25, snap-in bracket), PC pins with support bracket, three pole



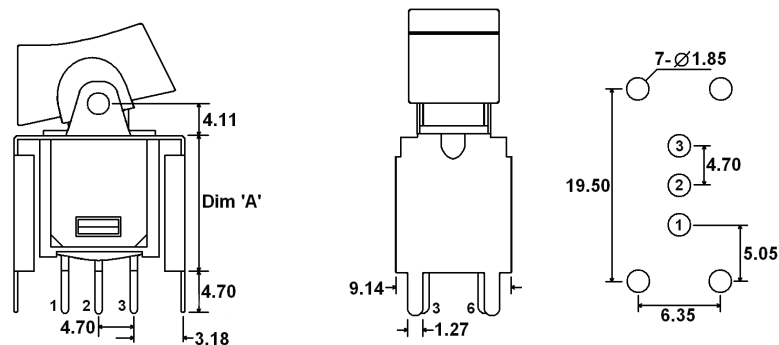
Terminal Option	"A" Dimension
S20 / V20	11.68
S25 / V25	16.00

S20/S25, (V20/V25, snap-in bracket), PC pins with support bracket, four pole



Terminal Option	"A" Dimension
S20 / V20	11.68
S25 / V25	16.00

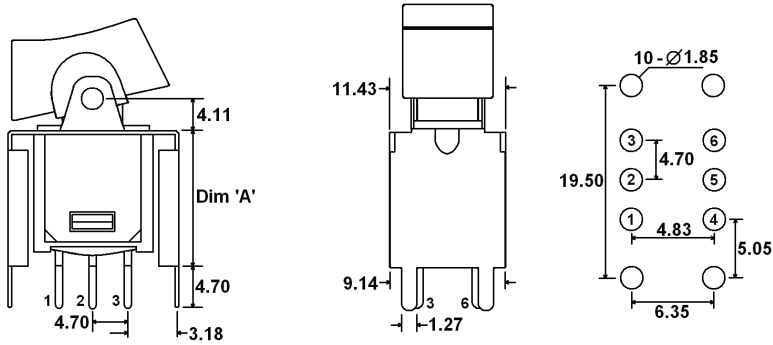
S40, (V40, snap-in bracket), PC pins with support bracket, single pole



Terminal Option	"A" Dimension
S35	11.68
S40	16.00

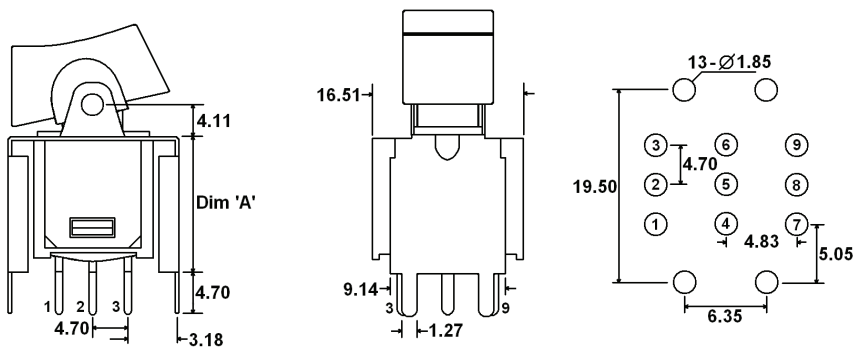
Terminal Options

S40, (V40, snap-in bracket), PC pins with support bracket, double pole



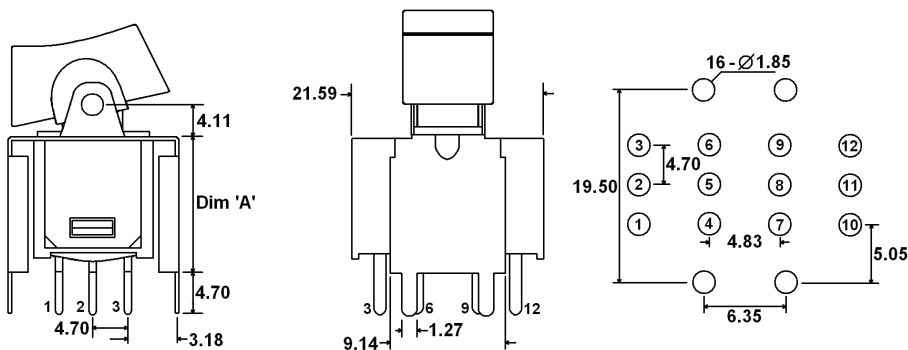
Terminal Option	"A" Dimension
S35	11.68
S40	16.00

S40, (V40, snap-in bracket), PC pins with support bracket, three pole



Terminal Option	"A" Dimension
S35	11.68
S40	16.00

S40, (V40, snap-in bracket), PC pins with support bracket, four pole



Terminal Option	"A" Dimension
S35	11.68
S40	16.00

Contact Options

Designator	Contact Material	Terminal Material	Electrical Ratings
Q	Silver Plating	Silver Plating	5A @ 120VAC, 28VDC; 2A @ 250VAC
R	Gold over Nickel Plating	Gold over Nickel Plating	0.4VA max @ 20VAC or VDC max
G	Gold over Silver Plating	Gold over Silver Plateing	0.4VA max @ 20VAC or VDC max or 5A @ 120VAC, 28VDC; 2A @ 250VAC

Three Way Wiring Diagram

